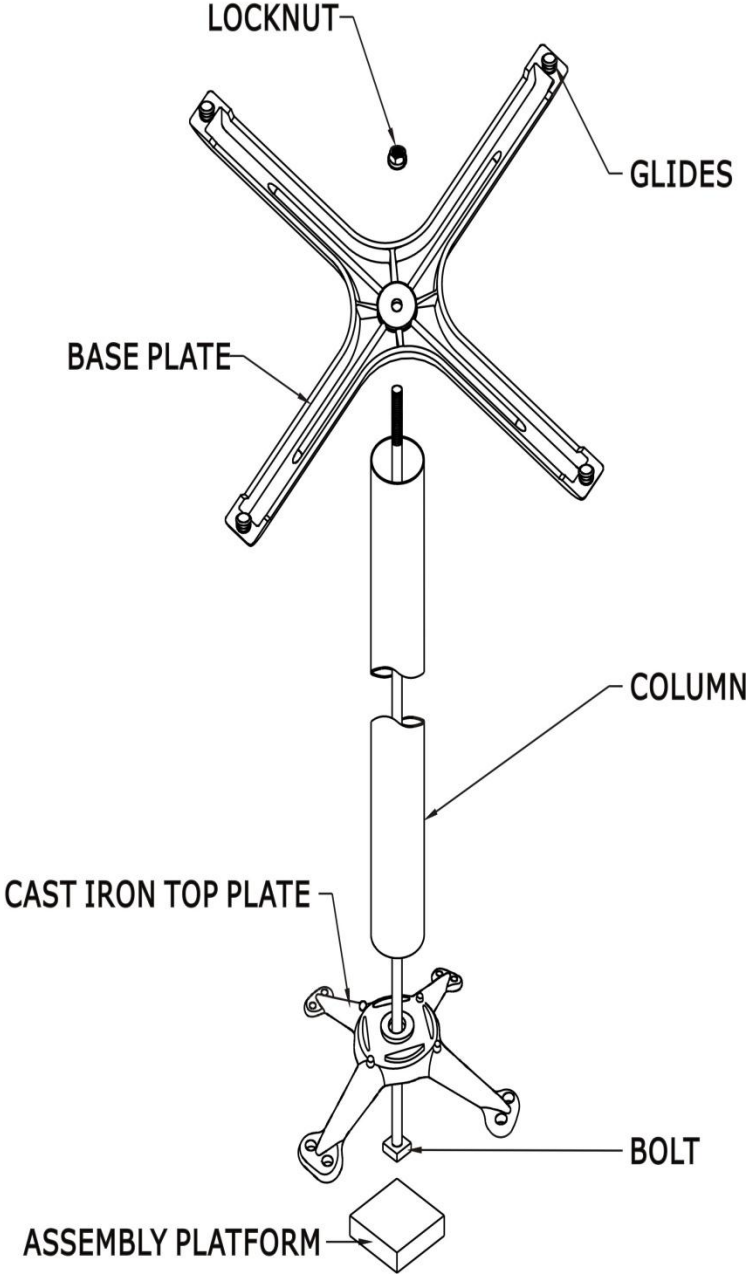


# Assemble Table Base Upside Down



## Installation Instructions For JI3-22TP12 & JI3-30TP12